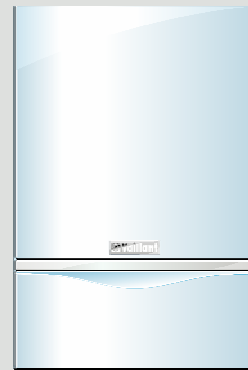


Spare part catalogue

0020037555.03 GB 03/2007



Wall-hung boilers ecoTEC exclusive 832, 838

VUW 326/4-7
VUW 386/4-7



Content

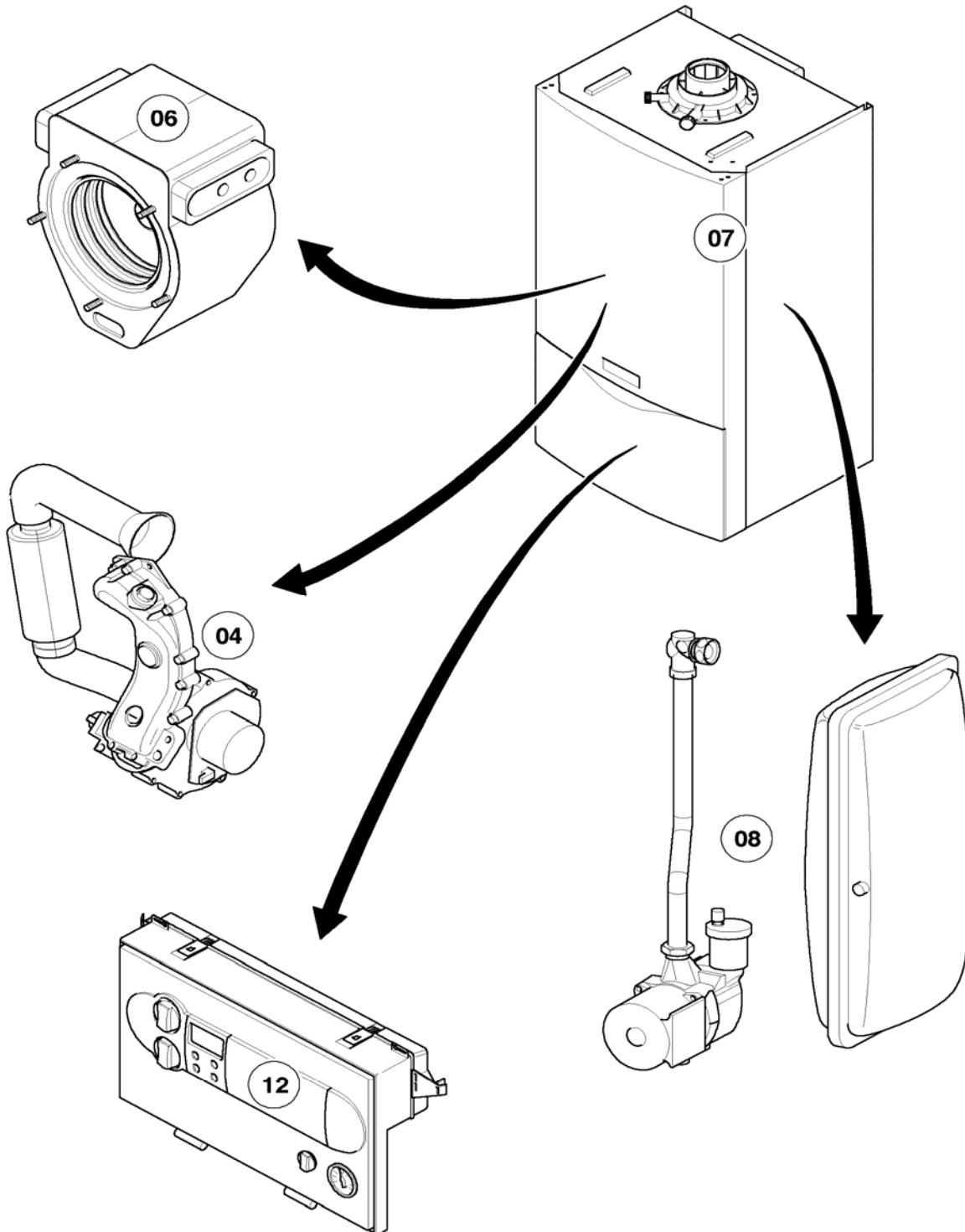
General view of sheet	VUW 326/4-7, ecoTEC exclusive 832 VUW 386/4-7, ecoTEC exclusive 838	Page 3
04 Burner		Page 4
06 Heat exchanger		Page 6
07 Casing parts		Page 8
08 Connection parts		Page 10
12 Control panel		Page 14
Notes		Page 16

In order to maintain the safe and efficient operation of this appliance, only genuine Vaillant spare parts must be used.

General view of sheet

VUW 326/4-7, ecoTEC exclusive 832

VUW 386/4-7, ecoTEC exclusive 838

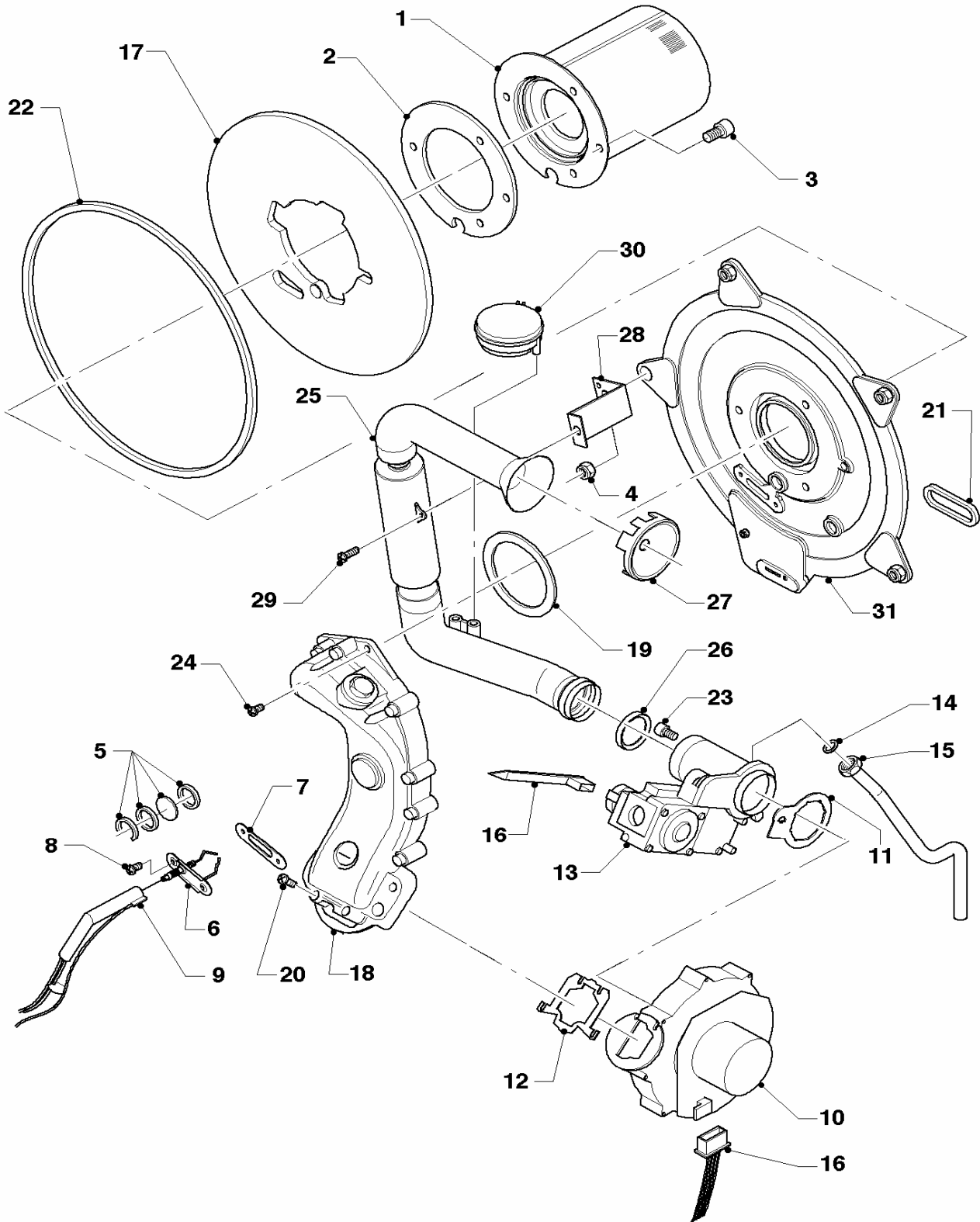


02 -00 - 078

04 Burner

VUW 326/4-7, ecoTEC exclusive 832

VUW 386/4-7, ecoTEC exclusive 838



02 - 04 - 031.02

04 Burner

VUW 326/4-7, ecoTEC exclusive 832

VUW 386/4-7, ecoTEC exclusive 838

Pos.	Art.-No	Part	Type, note
		02-04-031	
01	050430	burner	with parts 02, 03
02	981103	sealing ring	
03	105900	screw (set of 10)	
04	0020026537	nut M6 (set of 5)	
05	161245	inspection glass	
06	090709	ignition/monitoring electrode	
07	980961	gasket electrode	
08	118883	pan head screw ISO 7045	
09	091551	ignition wire	
10	190235	fan	VUW 326/4-7, with parts 11, 12, 21, 22
10	190248	fan	VUW 386/4-7, with parts 11, 12, 21, 22
11	981104	packing ring	
12	981045	packing ring set	
13	053500	gas section	with parts 11, 14, 21, 22
14	981142	packing ring (set of 10)	
15	123492	gas connection tube	with part 14
16	0020022746	cable tree	VUW 326/4-7, appliance
16	0020022746	cable tree	VUW 386/4-7, appliance
16	0020028057	cable tree	VUW 386/4-7, appliance/fan
16	0020028058	cable tree	VUW 386/4-7, fan (230V)
17	210734	insulation	with parts 02, 03
18	116688	air gas mixing tube	with parts 12, 19
19	981107	packing ring	
20	105836	cylinder screw (set of 4)	
21	0020038679	sealing gasket	
22	0020038679	sealing gasket	
23	139247	screw	
24	118882	pan head screw	
25	0020021838	air inlet pipe	with part 26
26	981111	packing ring	
27	-	-	not necessary
28	087195	silencer bracket	
29	235756	tapping screw	
30	-	-	not necessary
31	088134	flange	with parts 02, 03, 04, 05, 07, 08, 17, 19, 21, 22, 23

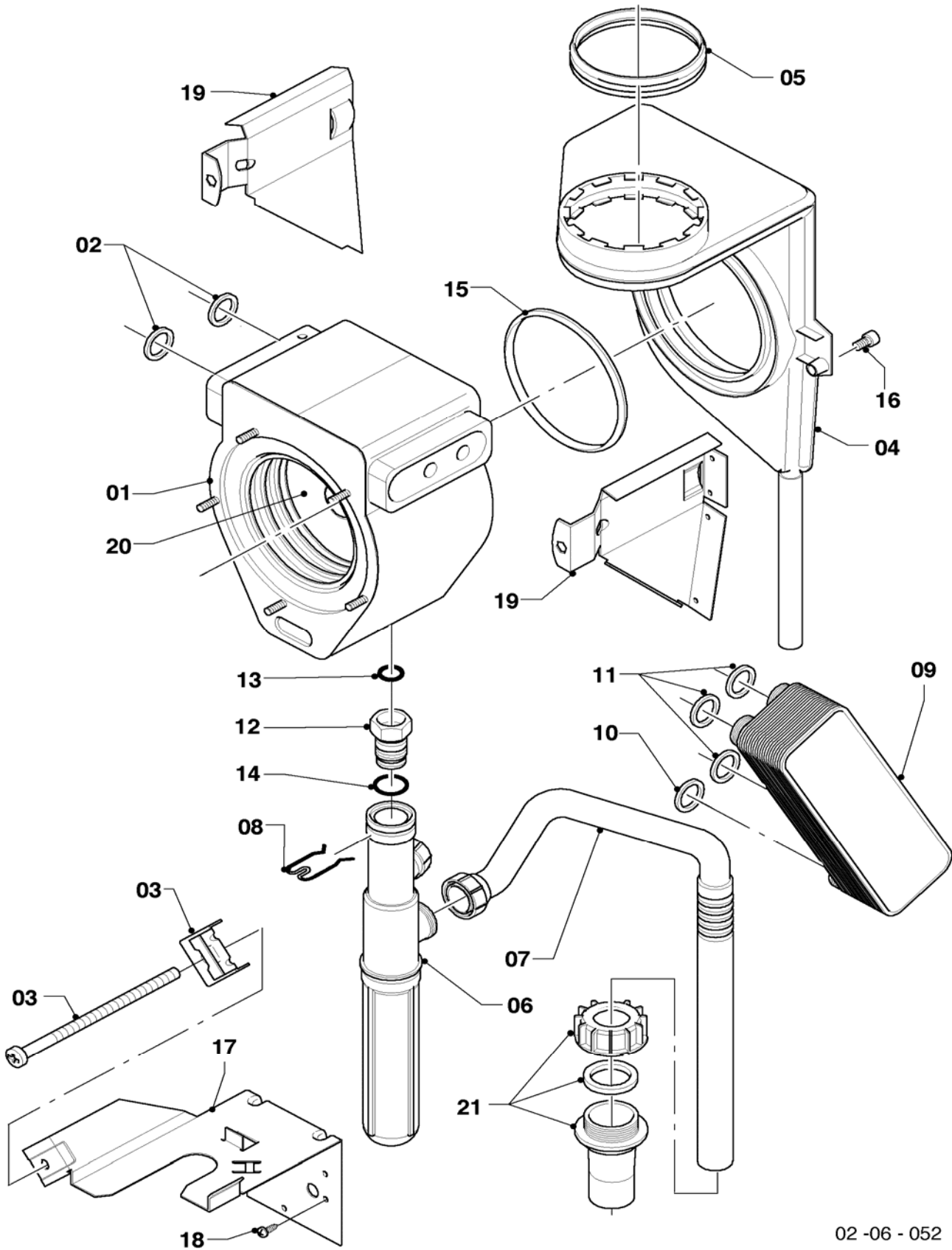
Subject to alteration !

Attention: Please take the gross price from the valid price list !

06 Heat exchanger

VUW 326/4-7, ecoTEC exclusive 832

VUW 386/4-7, ecoTEC exclusive 838



02-06-052

06 Heat exchanger

VUW 326/4-7, ecoTEC exclusive 832

VUW 386/4-7, ecoTEC exclusive 838

Pos.	Art.-No	Part	Type, note
		02-06-052	
01	065119	heat exchanger	with parts 02, 17, 28
02	981140	packing ring (set of 10)	
03	111993	support	
04	076560	flue collector cap	with parts 05, 15
05	981227	packing ring	
06	011511	condensate trap	
07	0020041889	tube	
08	154162	wire clip	
09	065132	heat exchanger DHW (38 plates)	with parts 10, 11
10	981142	packing ring (set of 10)	
11	981163	packing ring (set of 10)	
12	087310	connection piece	with parts 08, 13, 14
13	982409	seal, o-ring	
14	981158	packing ring (set of 10)	
15	981306	packing ring	
16	118885	flat head screw	
17	111995	console	with part 18
18	235740	screw	
19	-	-	not available as spare part
20	210779	insulation	
21	092018	connection piece	

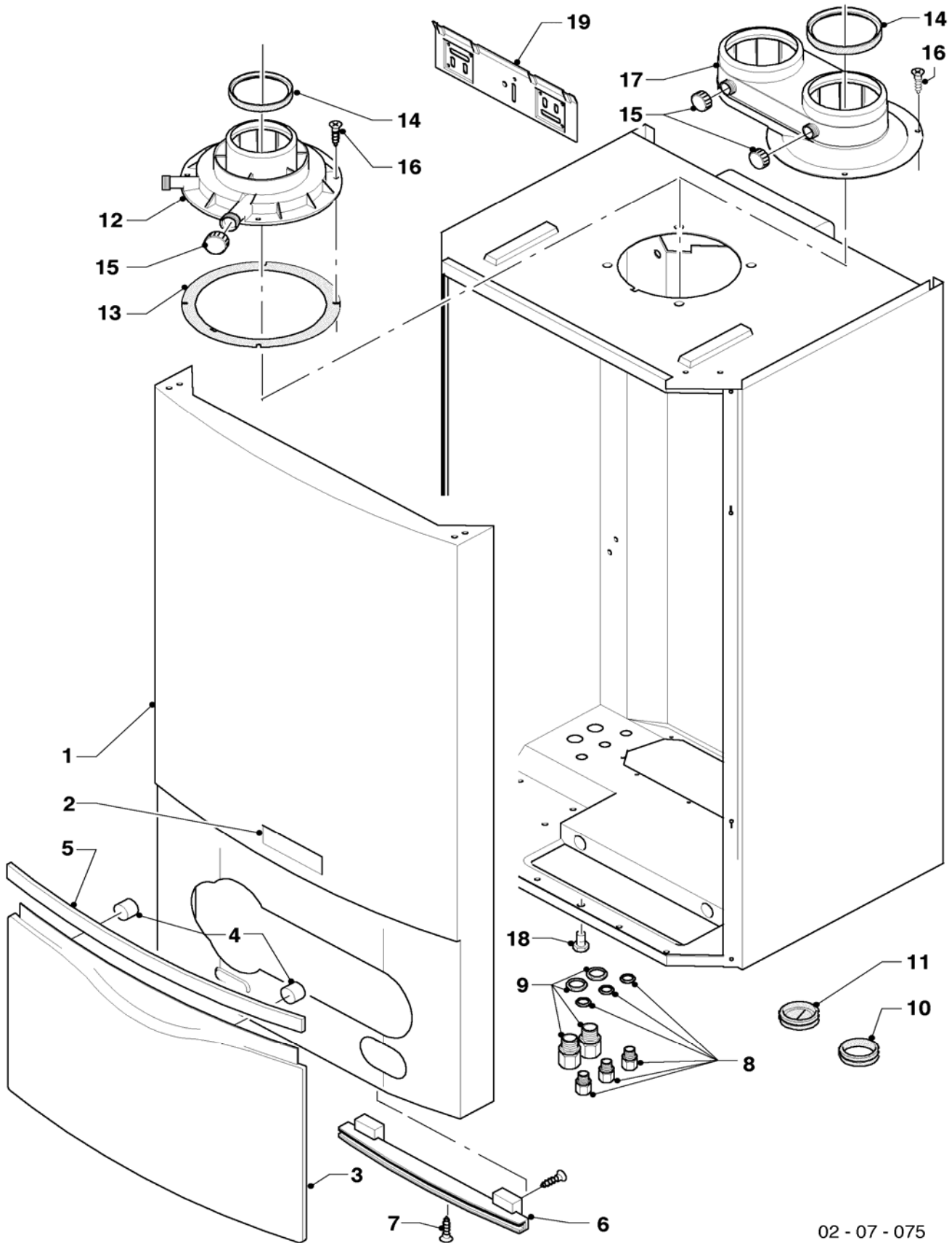
Subject to alteration !

Attention: Please take the gross price from the valid price list !

07 Casing parts

VUW 326/4-7, ecoTEC exclusive 832

VUW 386/4-7, ecoTEC exclusive 838



02 - 07 - 075

07 Casing parts

VUW 326/4-7, ecoTEC exclusive 832

VUW 386/4-7, ecoTEC exclusive 838

Pos.	Art.-No	Part	Type, note
		02-07-075	
01	0020022747	casing	with parts 02 - 07
02	118096	badge	
03	0020022748	cover, cpl.	with parts 04, 05, 07
04	-	-	not available as spare part, see pic.-no. 05
05	0020022749	handle	with part 04
06	180944	hinge	with part 07
07	193538	screw (set of 10)	
08	088367	fitting	
09	088368	fitting	
10	201865	cable bushing	
11	980660	seal	
12	077095	flue spigot (60/100)	with parts 13 - 15
13	981232	packing ring	
14	981227	packing ring	
15	147392	cap (set of 5)	
16	500046	screw	
17	-	-	not necessary
18	105839	screw (set of 10)	
19	103892	suspension	

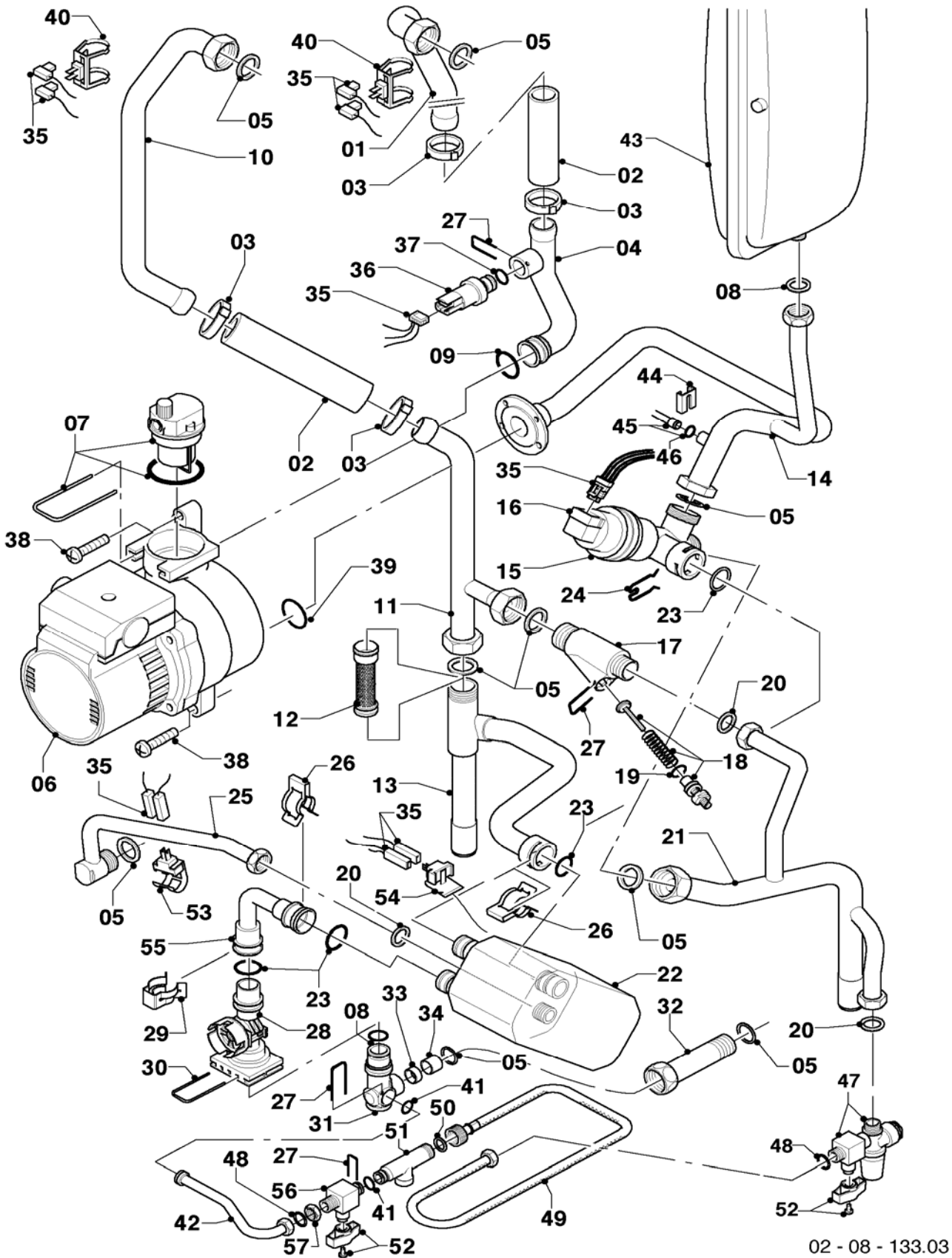
Subject to alteration !

Attention: Please take the gross price from the valid price list !

08 Connection parts

VUW 326/4-7, ecoTEC exclusive 832

VUW 386/4-7, ecoTEC exclusive 838



02 - 08 - 133.03

08 Connection parts

VUW 326/4-7, ecoTEC exclusive 832

VUW 386/4-7, ecoTEC exclusive 838

Pos.	Art.-No	Part	Type, note
		02-08-133	
01	0020021013	tube	with parts 02, 03, 05
02	080387	flexible tube	with part 05 (2 pieces)
03	990187	securing clip	
04	0020021014	tube	with parts 02, 03, 09, 27, 37
05	981140	packing ring (set of 10)	
06	0020028056	pump	with parts 09, 39
07	104521	automatic air vent	
08	981163	packing ring (set of 10)	
09	981151	packing ring (set of 10)	
10	0020021015	tube	with parts 02, 03, 05
11	0020021020	tube	with parts 02, 03, 05
12	074517	filter	
13	0020028053	tube	with parts 05, 23
14	0020028054	tube	with parts 05, 39
15	252457	diverter valve	
16	140429	diverter valve actuator	
17	0020022744	valve, cpl.	with parts 05, 18, 19, 20, 27
18	178980	bypass	
19	981165	packing ring (set of 10)	
20	981142	packing ring (set of 10)	
21	0020028055	tube	with parts 05, 20
22	065132	heat exchanger DHW (38 plates)	with parts 20, 23
23	981163	packing ring (set of 10)	
24	219622	spring clamp (set of 10)	
25	0020021023	tube	with parts 05, 20
26	219636	clip (set of 2)	
27	154150	clip	
28	178988	flow sensor (black)	
29	178966	clip	
30	178992	clip (set of 10)	
31	0020021024	connection	with parts 05, 08, 33, 34, 41, 42
32	022640	connection tube	with part 05
33	0020022743	water quantity limiter	VUW 326/4-7, 9.4 l
33	0020041890	limiter (12.0 l/min)	VUW 386/4-7, 12.0 l
34	074514	filter	
35	0020022746	cable tree	
36	253595	sensor, CH pressure	
37	178993	packing ring (set of 10)	
38	118951	pan head screw	
39	981234	packing ring (set of 10)	
40	193592	NTC sensor (CH flow/CH return)	
41	981154	packing ring (set of 10)	
42	022597	connection tube	with parts 41, 48
43	181051	expansion vessel	
44	085751	pressure gauge clip	
45	180982	pressure gauge	with parts 44, 46
46	981155	packing ring (set of 10)	
47	0020041891	valve	with parts 20, 48, 52
48	981146	packing ring (set of 10)	
49	0020041892	hose	with parts 48, 50

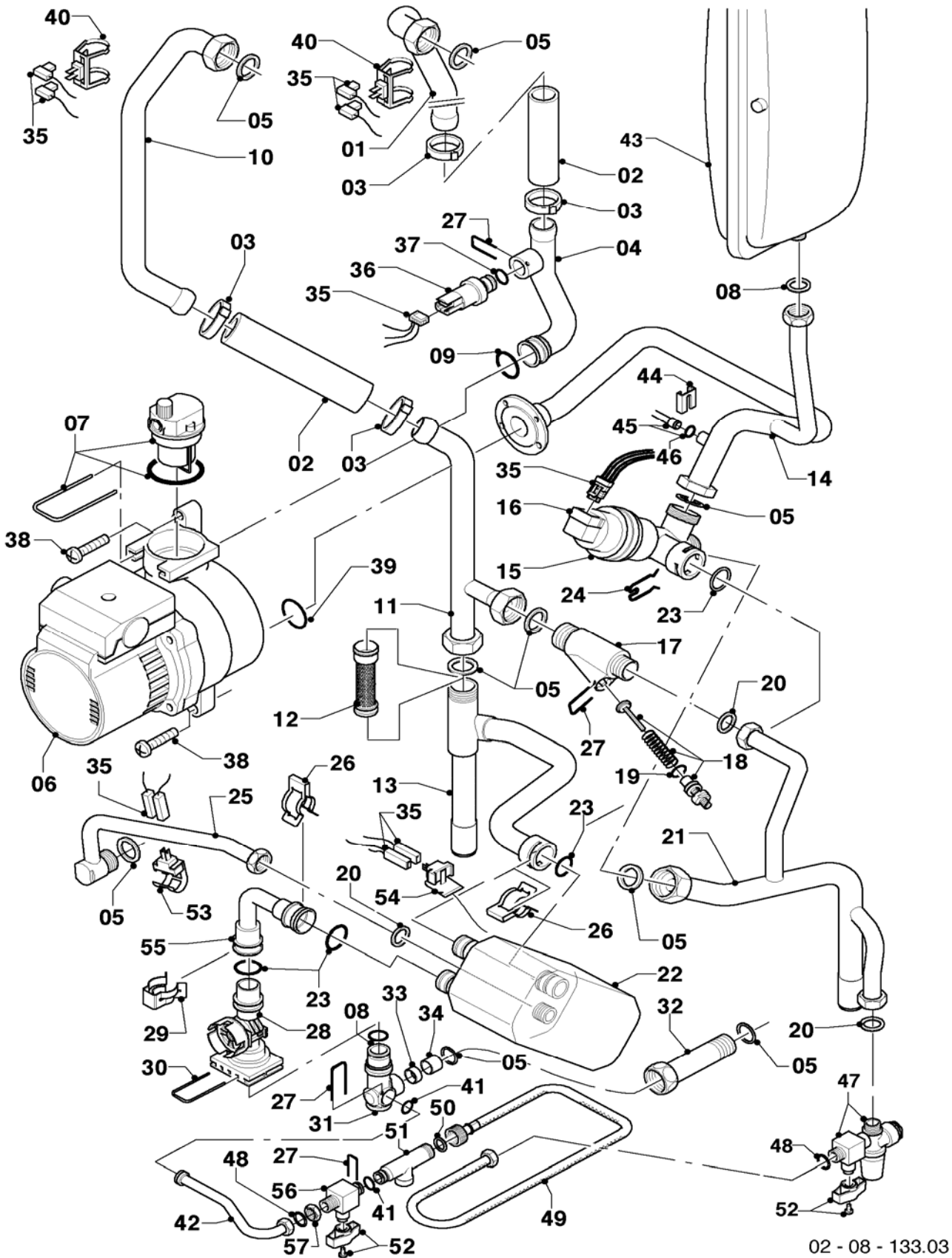
Subject to alteration !

Attention: Please take the gross price from the valid price list !

08 Connection parts

VUW 326/4-7, ecoTEC exclusive 832

VUW 386/4-7, ecoTEC exclusive 838



02 - 08 - 133.03

08 Connection parts

VUW 326/4-7, ecoTEC exclusive 832

VUW 386/4-7, ecoTEC exclusive 838

Pos.	Art.-No	Part	Type, note
		02-08-133	
50	981165	packing ring (set of 10)	
51	0020010294	valve	with parts 41, 50
52	0020010292	handle (set of 2)	
53	103429	NTC-sensor (DHW outlet pipe)	
54	103430	NTC-sensor (DHW heat exchanger)	
55	0020021022	tube	with part 23
56	0020041893	valve	with parts 27, 41, 48, 52
57	100004	nut	

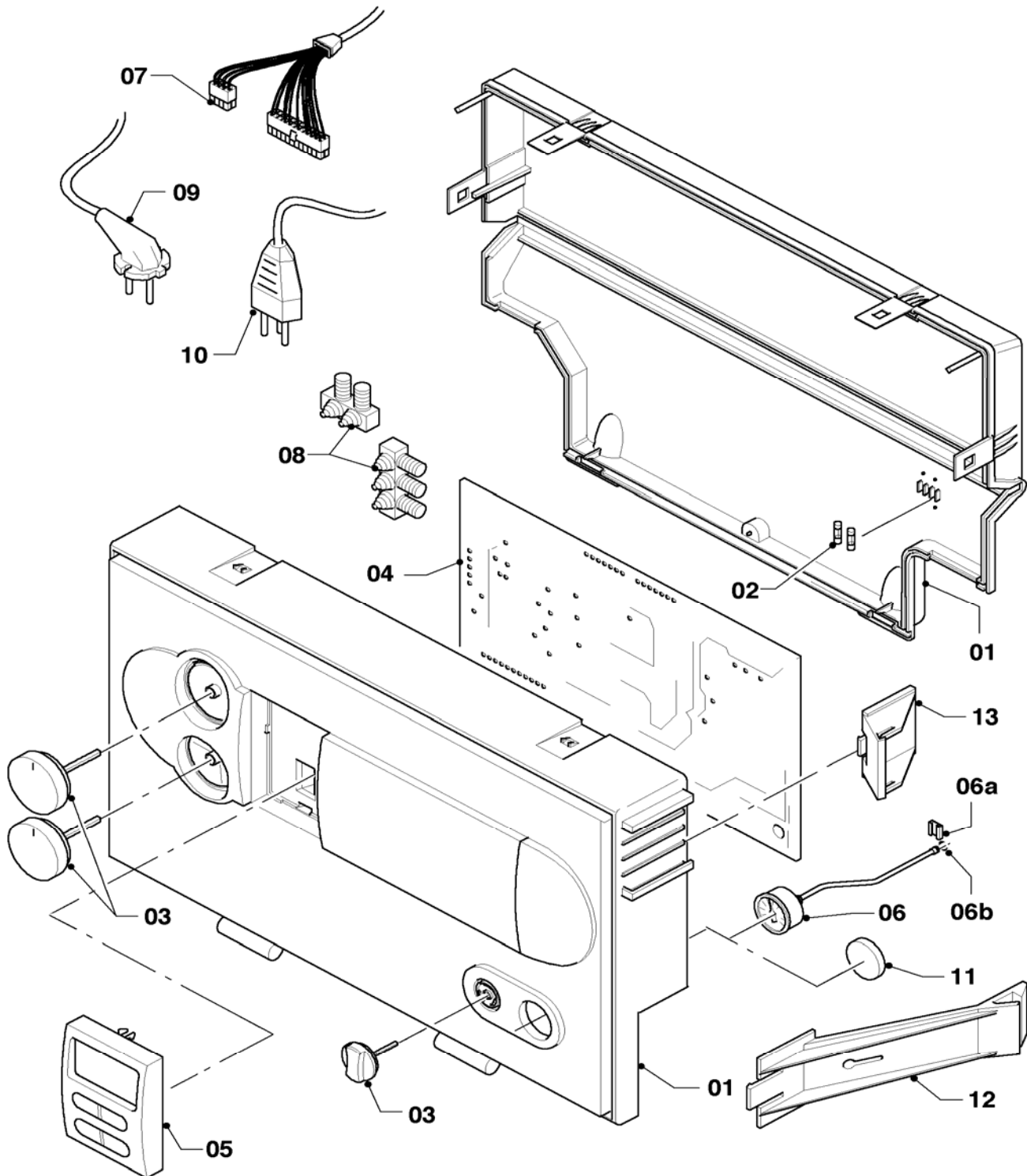
Subject to alteration !

Attention: Please take the gross price from the valid price list !

12 Control panel

VUW 326/4-7, ecoTEC exclusive 832

VUW 386/4-7, ecoTEC exclusive 838



02 - 12 - 048.01

12 Control panel

VUW 326/4-7, ecoTEC exclusive 832

VUW 386/4-7, ecoTEC exclusive 838

Pos.	Art.-No	Part	Type, note
		02-12-048	
01	0020048919	casing (white, excl.)	with part 03
02	251955	fuse 2.0A T (set of 10)	2.0 AT
03	0020048920	knobs white,excl. (3 knobs)	
04	0020049194	printed circuit	with part 02
05	0020037664	printed circuit (display)	
06	180982	pressure gauge	
06a	085751	pressure gauge clip	
06b	981155	packing ring (set of 10)	
07	0020022746	cable tree	VUW 326/4-7, appliance
07	0020022746	cable tree	VUW 386/4-7, appliance
07	0020028057	cable tree	VUW 386/4-7, appliance/fan
07	0020028058	cable tree	VUW 386/4-7, fan (230V)
08	078533	cable fixation	
09	0020028059	connection cable	
10	-	-	not necessary
11	-	-	not necessary
12	0020021026	support	

Subject to alteration !

Attention: Please take the gross price from the valid price list !

Notes

